



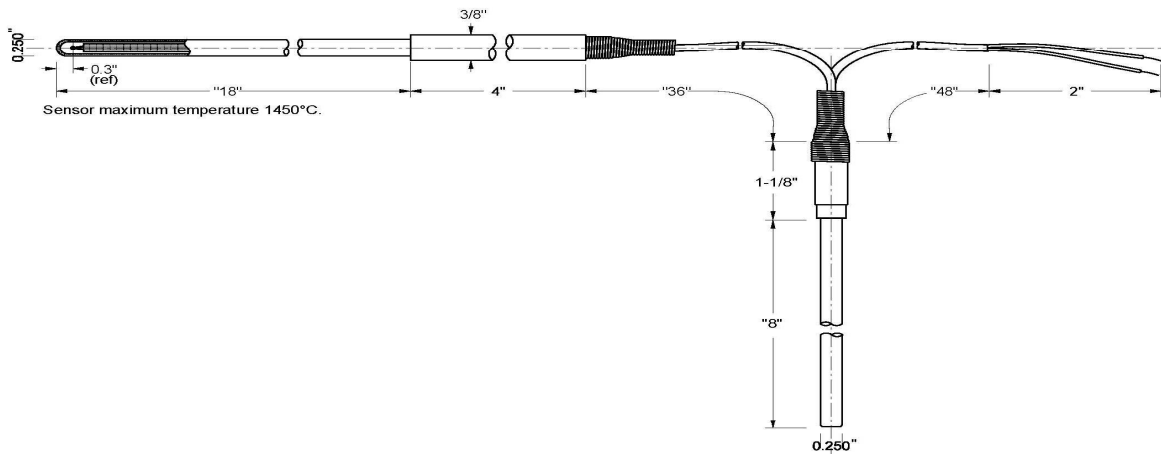
Bibby Scientific Ltd
 Stone
 Staffordshire
 ST15 0SA
 United Kingdom
 Tel +44 (0) 1785 812121
 Fax +44 (0) 1785 813748

www.techne.com

Registered in England and Wales No. 1631004
 BS EN ISO 9001:2000 registered company

FWSTC1 Working Standard S Type Thermocouple 1450°C

The WSTC1 is assembled into a high purity alumina sheath for long term stability and accuracy. Calibration is supplied via a CD with an Excel spreadsheet containing polynomials for mV to temperature conversion.



Probe Size		1/4"OD x 18" long alumina sheath with attached 1/4"OD x 8" long diameter reference junction with 72" inches of lead
Calibrated Temperature Range		0 to 1450°C
Description		WSTC1450 reference type S thermocouple with half junction reference and calibration supplied on CD containing polynomials for mV to temperature conversion
Resistance at 0°C		N/A
Temperature coefficient $\Omega / \Omega / ^\circ C$ minimum		N/A
Stability		Long term; typical drift <0.5°C at 1100°C after 250 hours
Repeatability		
Calibrated uncertainty K=2		500 to 1450°C $\pm 1.80^\circ C$